



## GS81-81CV

### Spare Parts Manual

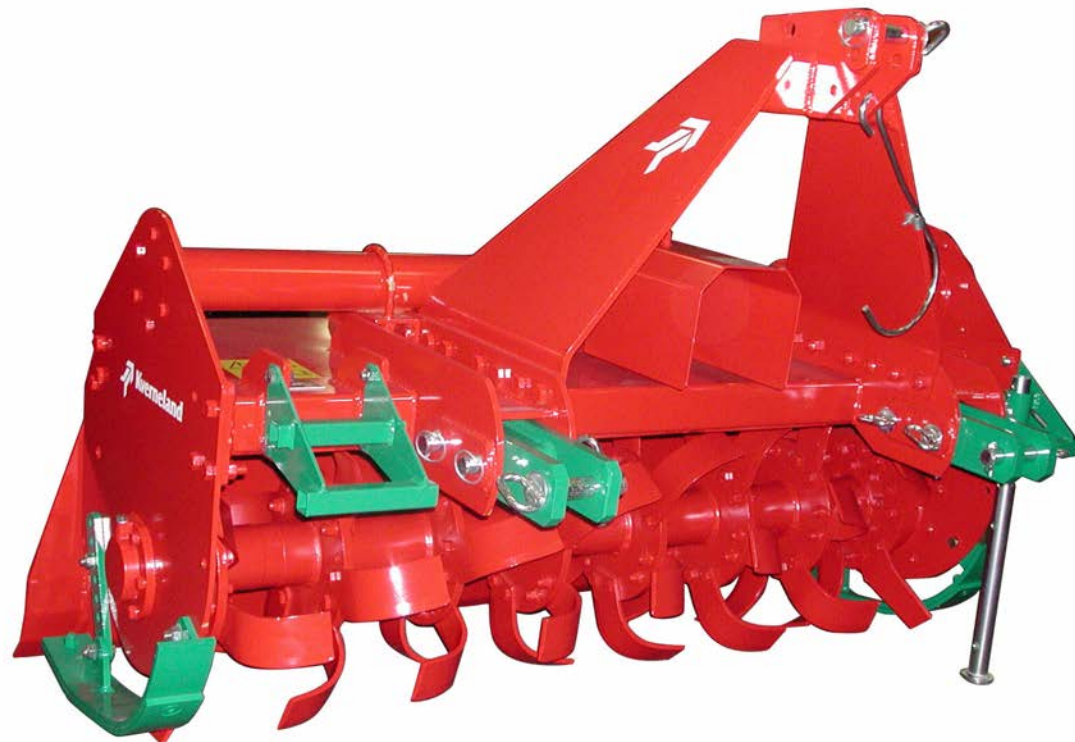
Article number: MAMES106  
Language: EN  
Production year (from): 2011  
Prod. Series nr (from):  
MAROTxx100308 < Mach. ID <=

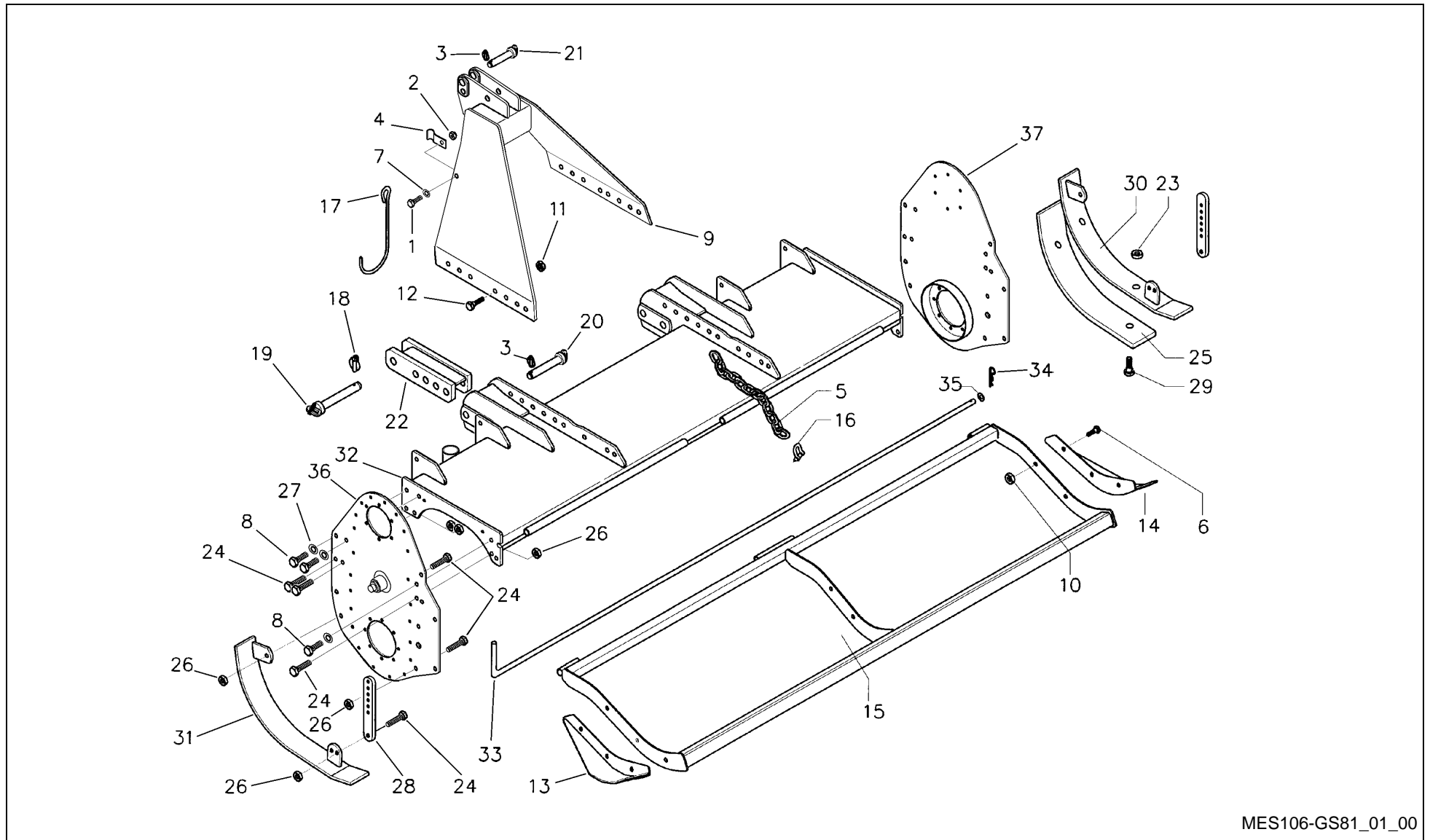


## GS81-81CV / Table of Contents



PosNo.	Assembly group	Page
	FRAME AND TRANSMISSION	1
	LATERAL TRANSMISSION AND ROTOR	2
	SINGLE SPEED TRANSMISSION	3
	GEAR INVERSION TRANSMISSION	4
	SAFETY GUARDS	5
	DRIVELINE 0005E611V	6
	DRIVELINE 0005B7018	7
	DECALS	8

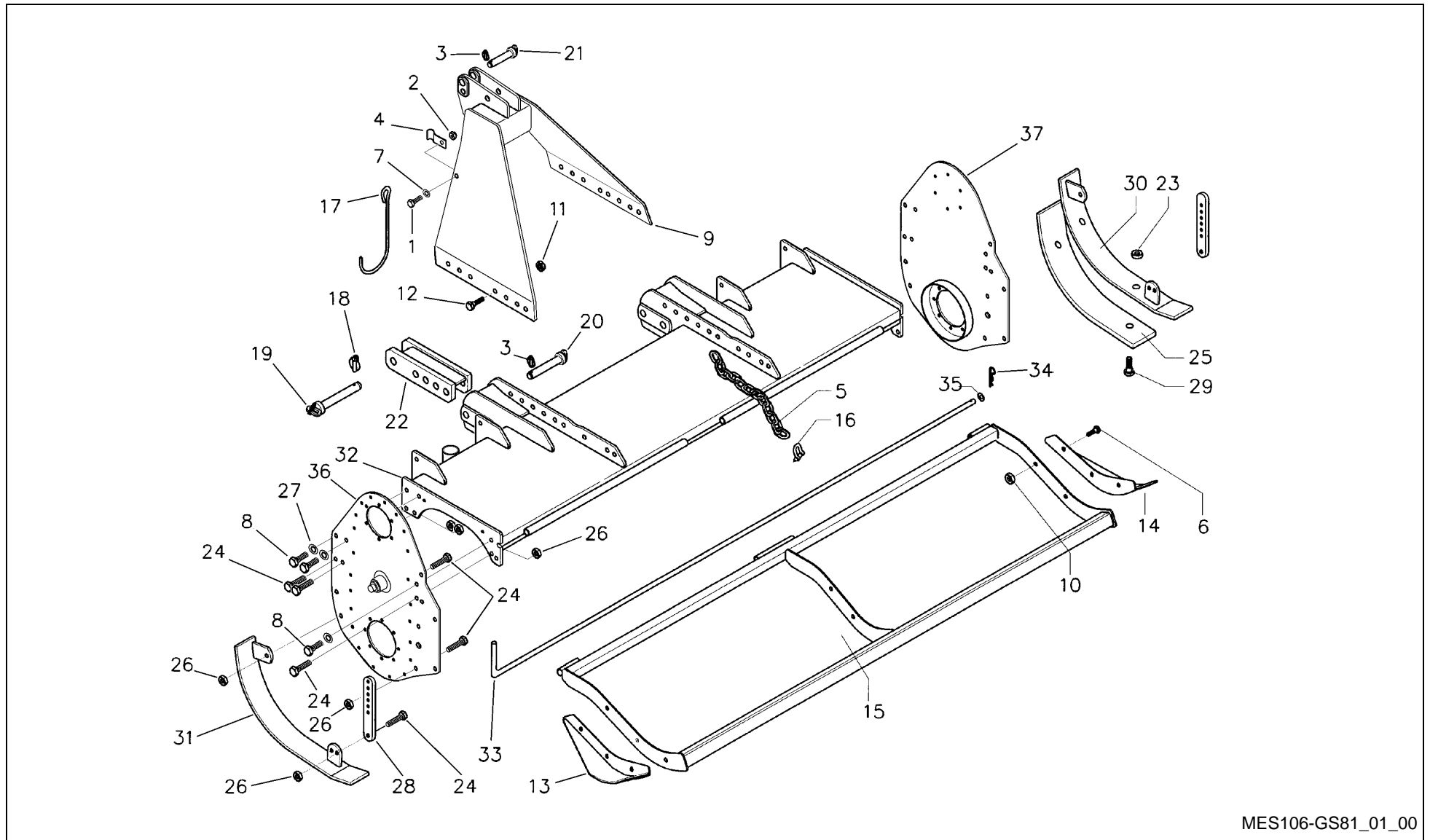




MES106-GS81\_01\_00

## GS81-81CV / Frame and transmission

PosNo.	Part No.	Qty.	Description	Remark
1	KG00469261	1	HEX. SCREW M6X30 8.8	M6x30 UNI5739 8.8 Zn
2	KG01063961	1	LOCK NUT M6 8	M6 Block DIN982 5S
3	MA00010502	5	PIN DIAM.6X42 EX 00010501	Ø 6x42
4	MA9700019Y	1	PIAST.FISS.GANCIO CARD.ZINC.GS	
5	MA9702110Y	1	CHAIN GS L=725(18 LINKS)	
6	KG00478500	6	HEX. SCREW M14X30 8.8	M14x30 UNI5739 8G
7	KG01267261	1	WASHER M6	Ø6 UNI6592
8	MA0000153	6	BOLT M 14X1,5X35 UNI 5740 8G	M14x1,5x35 UNI5740 8G
9	MA9800052	1	3-POINT HITCH	
10	MA00002016	6	NUT M 14 CONELOCK	M14 Biblock DIN980 Cl.8
11	MA00002031	10	NUT M 16X1,5 BIBLOCK CL.10	M16x1,5 Biblock Cl.10
12	MA000000077	10	SCREW	M16x1,5x40 FIL.21 10.9
13	MA9804003	1	L.H. PLATE	
14	MA9805003	1	R.H. PLATE	
15	MA9815203	1	REAR SHIELD GS80-220 - FOR ROTARY TILLER	155
15	MA9817203	1	REAR SHIELD GS80-220 - FOR ROTARY TILLER	175
15	MA9820203	1	REAR SHIELD GS80-220 - FOR ROTARY TILLER	200
16	MA0000958	1	U-BOLT 7/16	
17	MAE000H19Y	1	CARDAN SUPPORT	
18	MA00009142	2	PIN DIAM.9X44 EX-00009141	Ø 9x46
19	MA6403082Y	2	PIVOT EX 6403082	
20	MAE002K16Y	4	PIN	
21	MAE345K7Y	1	3RD POINT PIN 2CAT.PH25 ZINC.	
22	MAE431P5X	2	QUICK LINK	
23	KG01047661	4	HEX. NUT M14 8	M14 Alto UNI5587 6S
24	MA0000154	12	SCREW 14X1,5X40 EX 00000033	M14x1,5x40 FIL. 20 8G
25	MA9700042	2	SOTTOSLITTA GS	
26	MA00002033	12	NUT M 14X1,5 BIBLOCK CL.10	M 14x1,5
27	KG01277861	6	SPRING WASHER M14	Ø 14 Rinf.
28	MA9800024X	2	ROD	
29	MA0000047	4	BOLT M 14X40 UNI 5933 10.9	M14x40 UNI5933 10.9
30	MA9701041	1	RIGHT SKID	
31	MA9701040	1	LEFT SKID	
32	MA9815101A	1	FRAME FRO 325 MT.	155
32	MA9817101A	1	FRAME FRO 325 MT.	175
32	MA9820101A	1	FRAME FRO 325 MT.	200
33	MA1016004	1	PIN/ REAR SHIELD DIAM.14 CM.16	155
33	MA1018004	1	PIN/ REAR SHIELD DIAM.14 CM.18	175
33	MA1020004	1	PIN/ REAR SHIELD DIAM.14 CM.20	200
34	KG01252761	1	SPLIT PIN 5X36 ST	Ø5x35 UNI1336



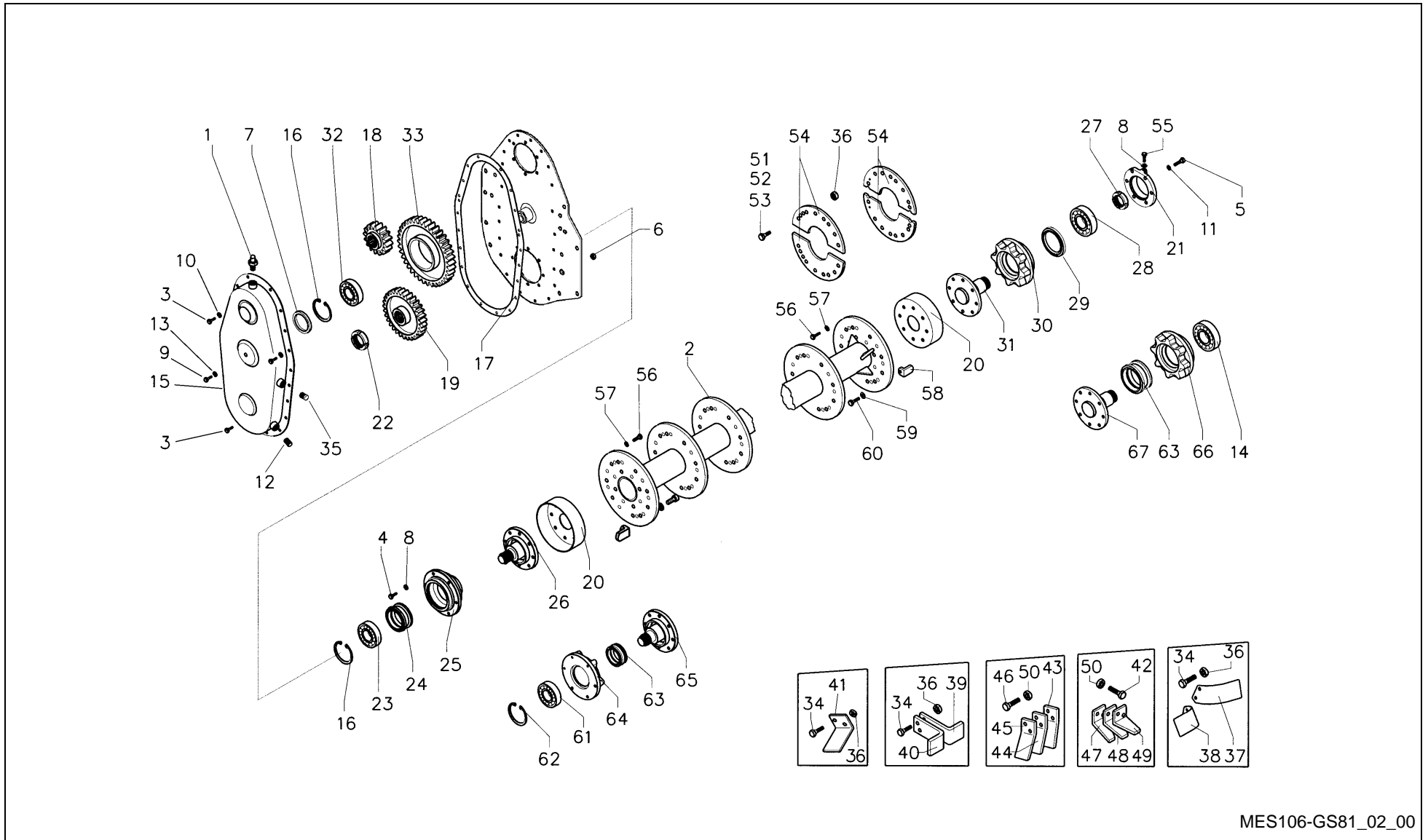
MES106-GS81\_01\_00

## GS81-81CV / Frame and transmission



PosNo.	Part No.	Qty.	Description	Remark
35	KG01267661	1	WASHER M14	Bis. Ø14 UNI6592 Zn
36	MA9803046	1	L.H. SIDE FRAME	
37	MA9803045	1	R.H. SIDE FRAME	

GS81-81CV / Lateral transmission and rotor



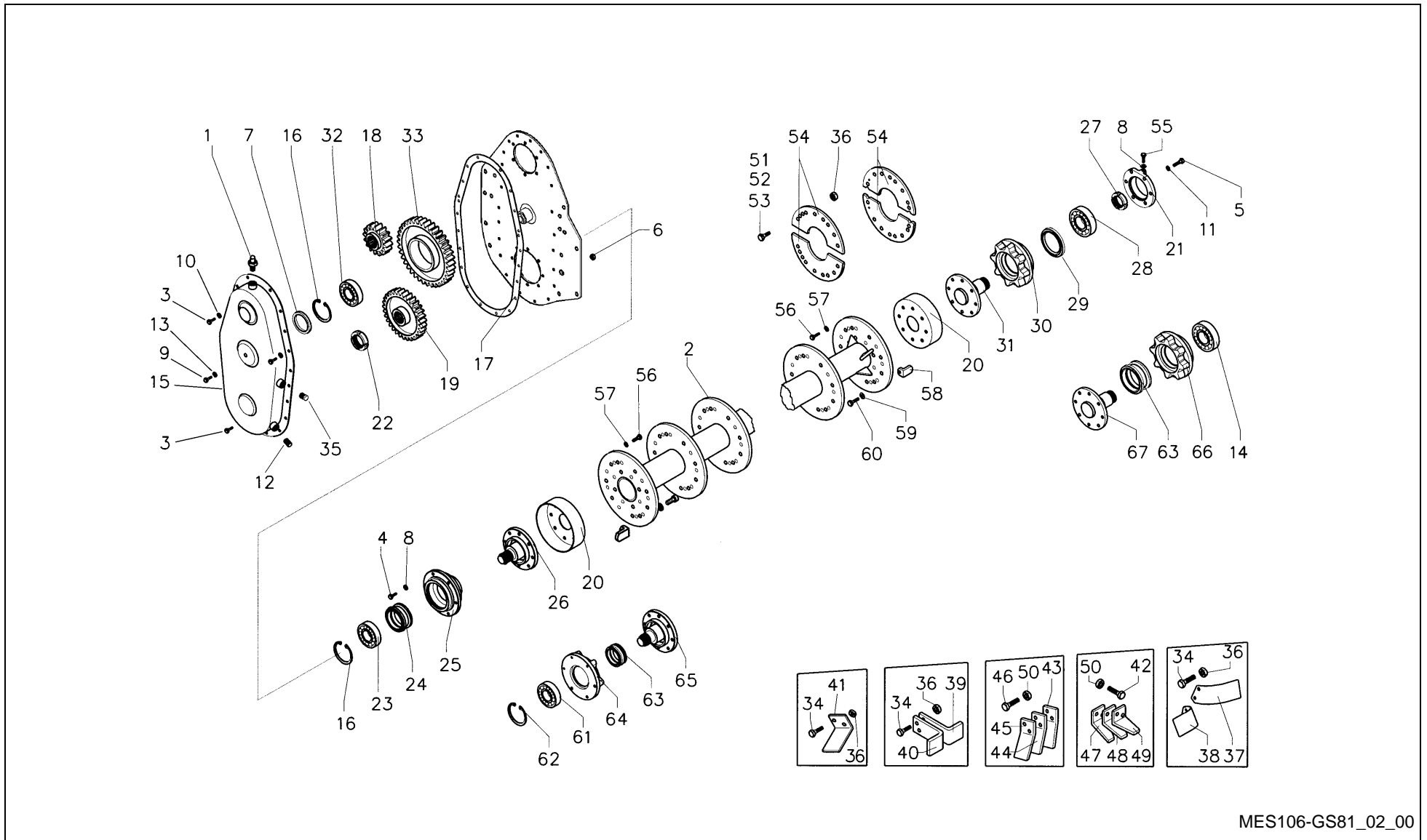
MES106-GS81\_02\_00



## GS81-81CV / Lateral transmission and rotor

PosNo.	Part No.	Qty.	Description	Remark
1	MA0000824	1	PLUG	1/2#
2	MA9815302	1	ROTOR FH2-200	155
2	MA9817302	1	ROTOR FH2-200	175
2	MA9820302	1	ROTOR GS80/200 15MM.FLANGE	200
3	KG00474300	20	HEX. SCREW M10X30 8.8	M10x30 UNI5739 8G
4	KG00474400	8	HEX. SCREW M10X35 8.8	M10x35 UNI5739 8G
5	MA0000152	6	SCREW	M12x1,25x45 UNI 5738 8G
6	MA00002026	18	NUT	M10 Biblock DIN980 Cl.8
7	MA9800021	1	SPACER	
8	KG01267461	9	WASHER M10	Ø10 UNI6592
9	KG00478400	1	HEX. SCREW M14X25 8.8	M14x25 UNI5739 8G
10	KG01277661	2	SPRING WASHER M10	Ø10 Rinf.
11	KG01277761	6	SPRING WASHER M12	Ø12
12	KG01031261	1	PLUG R 1/2 5.8	1/2#G
13	KG01267661	1	WASHER M14	Bis. Ø14 UNI6592 Zn
14	KG01403100	1	BALL BEARING 6309	6309 Optional
15	MA9800022	1	COVER	
16	KG01132700	2	CIRCLIP-B 120 X 4	120 I UNI7437
17	MA9700024	1	GASKET GS	
18	MA9800025	1	INGRANAGGIO SUPER.GS80 N	
19	MA9800027	1	INGRANAGGIO INFER.GS80 N	
20	MA9701030	2	PROTEZIONE SUPPORTO ROTORE GSN	
21	MA9800037	1	COPERCHIETTO LAT.DX GS N	
22	MA0000231	1	RING NUT BLOCK 50X1,5 6S	Block M50x1,5 6S
23	KG01555600	1	BALL BEARING 2311	2311
24	KG00134100	2	RADIAL SHAFT SEAL - AS 60X80X10	60x80x10 RP
25	MA9705029	1	SCATOLA ROTORE SX GS80N	
26	MA9705031	1	PERNO ROTORE SX GS80N	
27	MA0000266	1	LOCKING NUTS	M 45x1,5 H12.1
28	KG01403100	1	BALL BEARING 6309	6309
29	MA0000507	1	OIL SEAL 55X75X10	55x75x10 RP
30	MA9704029	1	SUPP.INF.DX ROTORE GS80-80CV	
31	MA9708031	1	PERNO ROTORE DX GS80N	
32	KG01404800	1	BALL BEARING 6311	6311
33	MA9800026	1	INGRANAGGIO CENTR.GS80 N	
34	MA000000076	1	SCREW M 14X1,5X45 UNI 5738 10.	M14x1,5x45 10.9 (4-6 Zap.)
35	MA0000825	1	CAP O 1/2 GAS	1/2#Gas
36	MA00002038	1	D.BIBLOK M14X1,5 CL.10 D.74361	Biblock M 14x1,5 Cl.10 (4-6 Zap.)
37	MA0100077	1	SPEED-BLADES RH. P	(4-6 Zap.)
38	MA0100078	1	SPEED-BLADES RH. P	(4-6 Zap.)

GS81-81CV / Lateral transmission and rotor

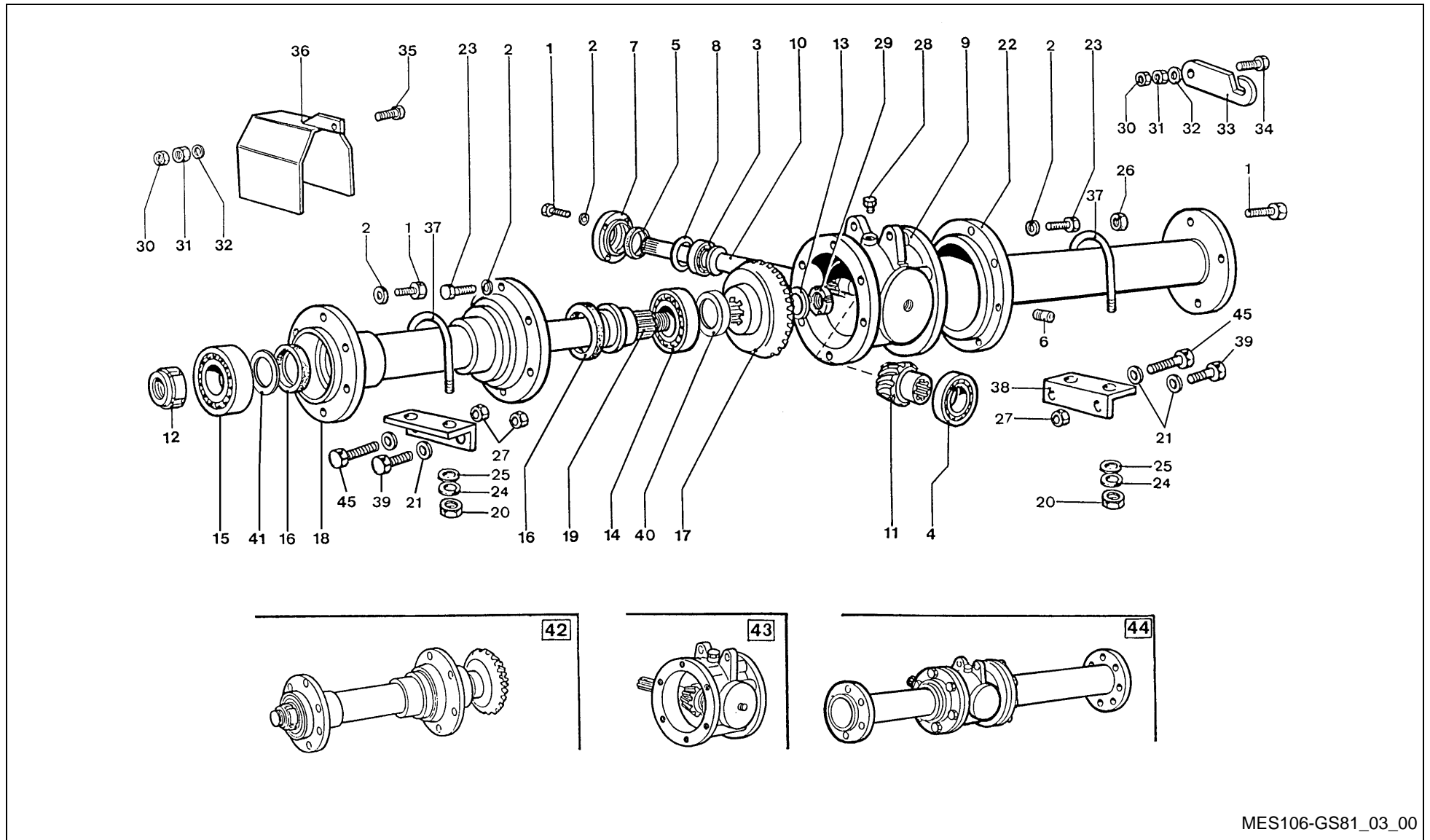


MES106-GS81\_02\_00

## GS81-81CV / Lateral transmission and rotor

PosNo.	Part No.	Qty.	Description	Remark
39	MA0100079		ANGULAR-BLADES RH.P	(4-6 Zap.)
40	MA0100080		ANGULAR-BLADES LH. P	(4-6 Zap.)
41	MA1101078		MEDIUM FLAT FOR ROTARY TILLERS	(4-6 Zap.)
42	MA000000074	96	SCREW	M14x1,5x50 UNI5738 10.9 (Denti)
43	MA1101077	16	SHORT FLAT FOR ROTARY TILLERS	
44	MA1101078	18	MEDIUM FLAT FOR ROTARY TILLERS	
45	MA1101079	14	LONG FLAT FOR ROTARY TILLERS	
46	MA000000076	96	SCREW M 14X1,5X45 UNI 5738 10.	M14x1,5x45 (Lame)
47	MA1000077	16	SHORT SPIKE LR	
48	MA1000078	18	TEETH L.R. MEDIUM	
49	MA1000079	14	TEETH L.R. LONG	
50	MA00002038	96	D.BIBLOK M14X1,5 CL.10 D.74361	Biblock M 14x1,5 Cl.10 (Denti-Lame)
51	MA000000074		SCREW	M14x1,5x50(4-6 zap. ) (Dop.flange)
52	MA000000074	96	SCREW	M14x1,5x50(Lame)(Dop.flange)
53	MA000000002	96	VITE M 14X1,5X60 UNI 5738 10.9	M14x1,5x60 10.9 (Denti) (Dop.flange)
54	MA98020020	16	HALF FLANGE	(Dop.flange) Optional
55	KG00474061	1	HEX. SCREW M10X20 8.8	M 10x20 UNI5739 8G
56	MA0000153	16	BOLT M 14X1,5X35 UNI 5740 8G	M 14x1,5x35 UNI5740 8G
57	KG01277861	16	SPRING WASHER M14	Ø14
58	MA9701114	4	PIATTO RASCHIATORE ROTORE GS	
59	KG01277761	4	SPRING WASHER M12	Ø12
60	KG00596400	4	CHEESE HEAD SCREW M12X30 12.9	M 12x30 UNI5931 12.9
60	KG00596600	4	CHEESE HEAD SCREW M12X50 12.9	M12x50 UNI5931 12.9 (Dop.flange)
61	KG01739600	1	SPHERICAL ROLLER BEARING 21311 CC	21311 Optional
62	KG01132700	2	CIRCLIP-B 120 X 4	120I UNI7437 Optional
63	MA0001191	2	WATER PROOF CR 3307	CR3307 Optional
64	MA9700029	1	L. H. SUPPORT	Optional
65	MA9706031	1	PERNO ROTORE SX GS120N	Optional
66	MA9701029	1	UPPER ROTOR SUPPORT RH GS	Optional
67	MA9709031	1	PERNO ROTORE DX GS120N	Optional

# GS81-81CV / Single speed transmission

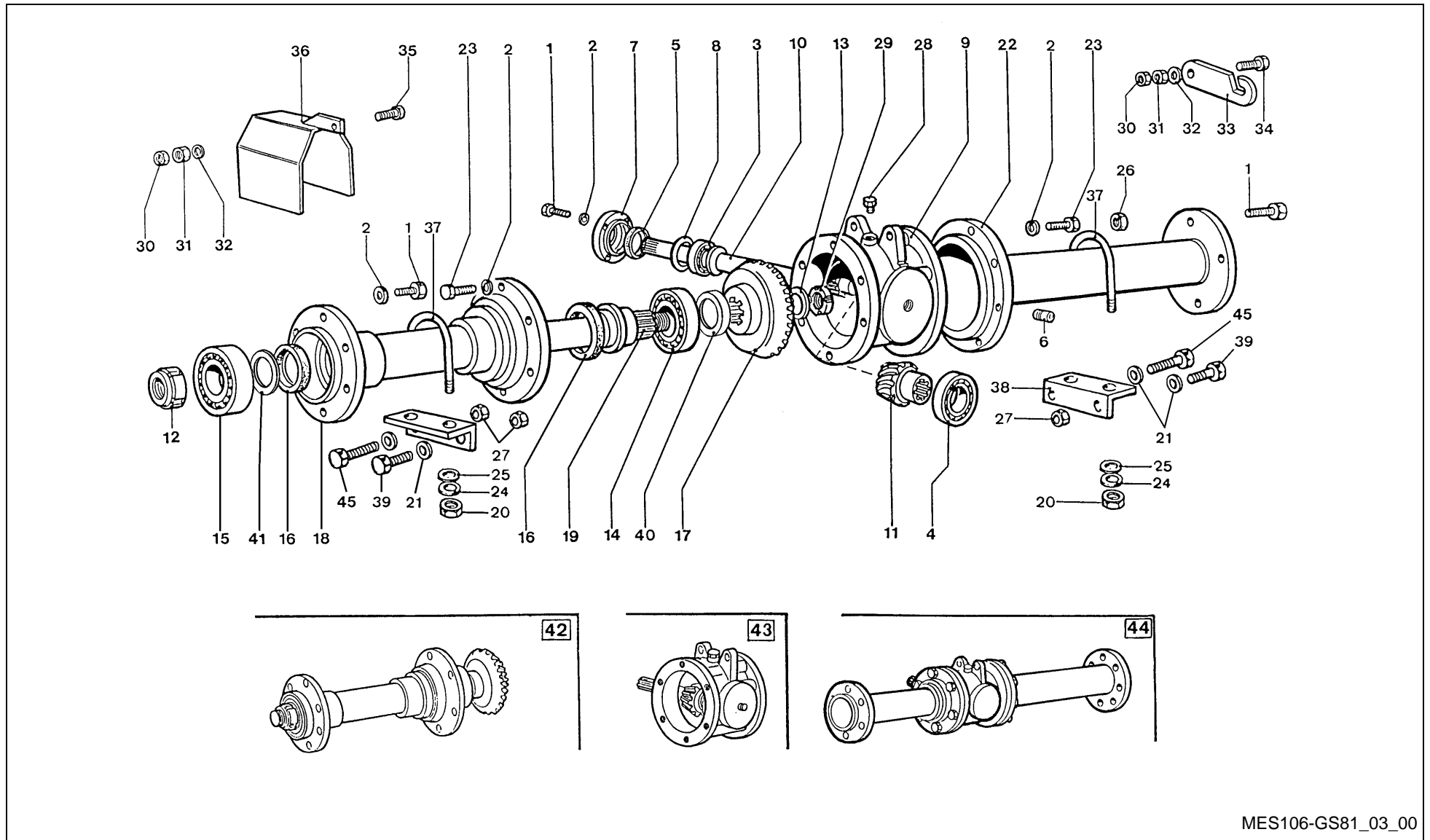


MES106-GS81\_03\_00

## GS81-81CV / Single speed transmission

PosNo.	Part No.	Qty.	Description	Remark
1	KG00474300	15	HEX. SCREW M10X30 8.8	M10x30 UNI 5739 8G
2	KG01267461	21	WASHER M10	Ø10 UNI6592
3	KG01799100	1	TAPER ROLLER BEARING 30207	30207
4	KG01802200	1	TAPER ROLLER BEARING 32011 X	32011
5	MA0000503	1	OIL SEAL 35X62X10	35x62x10
6	MA00008010	1	PLUG	NPTF 3/8# GAS
7	MA0100032	1	PTO CAP P	
8	MA0100092	1	PTO SHIM P 71X56X01-02-03	71x56x01-02-03
9	MA0101021	1	GEARBOX P DIN	
10	MA0101060	1	PTO SHAFT	
11	MA97050591	1	PIGNONE Z=16 GSP	Z= 16
12	MA0000266	1	LOCKING NUTS	M45x1,5 - H=12,1
13	MA0000358	1	WASHER 27,5X55X3	27,5x55x3
14	KG01802000	1	TAPER ROLLER BEARING 30310	30310
15	KG01404000	1	BALL BEARING 6310	6310
16	MA0000507	2	OIL SEAL 55X75X10	55x75x10 RP
17	MA97050592	1	CORONA Z=19 GSP	Z=19
18	MA9815005	1	SUPP.ALB TRASM. GS80/155 N	GS81/155
18	MA9817005	1	SUPP.ALB.TRASM. GS80/175 N	GS81/175
18	MA9820005	1	SUPP.ALB.TRASM. GS80/200 N	GS81/200
19	MA9715606	1	ALBERO TRASMISS.GS80/155	GS81/155
19	MA9717606	1	ALBERO TRASMISS.GS80/175	GS81/175
19	MA9720606	1	ALBERO TRASMISS.GS80/200	GS81/200
20	KG01064361	4	LOCK NUT M14 8	M14 Block DIN982 5S
21	KG01267761	4	WASHER M16	Ø 16 UNI6592 Zn
22	MA9815007	1	SUPP.SUPER.DX GS80/155 N	GS80/155
22	MA9817007	1	SUPP.SUPER.DX GS80/175 N	GS80/175
22	MA9820007	1	SUPP.SUPER.DX GS80/200 N	GS80/200
23	KG00474200	12	HEX. SCREW M10X25 8.8	M10x25 UNI 5739 8G
24	KG01277861	4	SPRING WASHER M14	Ø14 Rinf.
25	KG01267661	4	WASHER M14	Ø14 UNI6592 Zn
26	MA00002026	6	NUT	M10
27	MA0000291	4	NUT M 16X1,5 MT/6S METALBLOCK	M16x1,5 MT/6S Metalblock
28	MA0000804	1	PLUG TMDF 34	3/4#
29	MA0000232	1	NUT M 27X2 BLOCK H=18,5 6S	M27x2
30	KG01047761	2	HEX. NUT M16 8	M16B
31	MA0000209	2	NUT M 16 BASSO UNI 5589 6S	M16A
32	KG01277961	2	SPRING WASHER M16	Ø16 Rnf.
33	MA0100044	1	CHAIN HOOK/SHIELD P	
34	MA0000098	1	SCREW M16X65 UNI 5737 8G	M16x65

# GS81-81CV / Single speed transmission



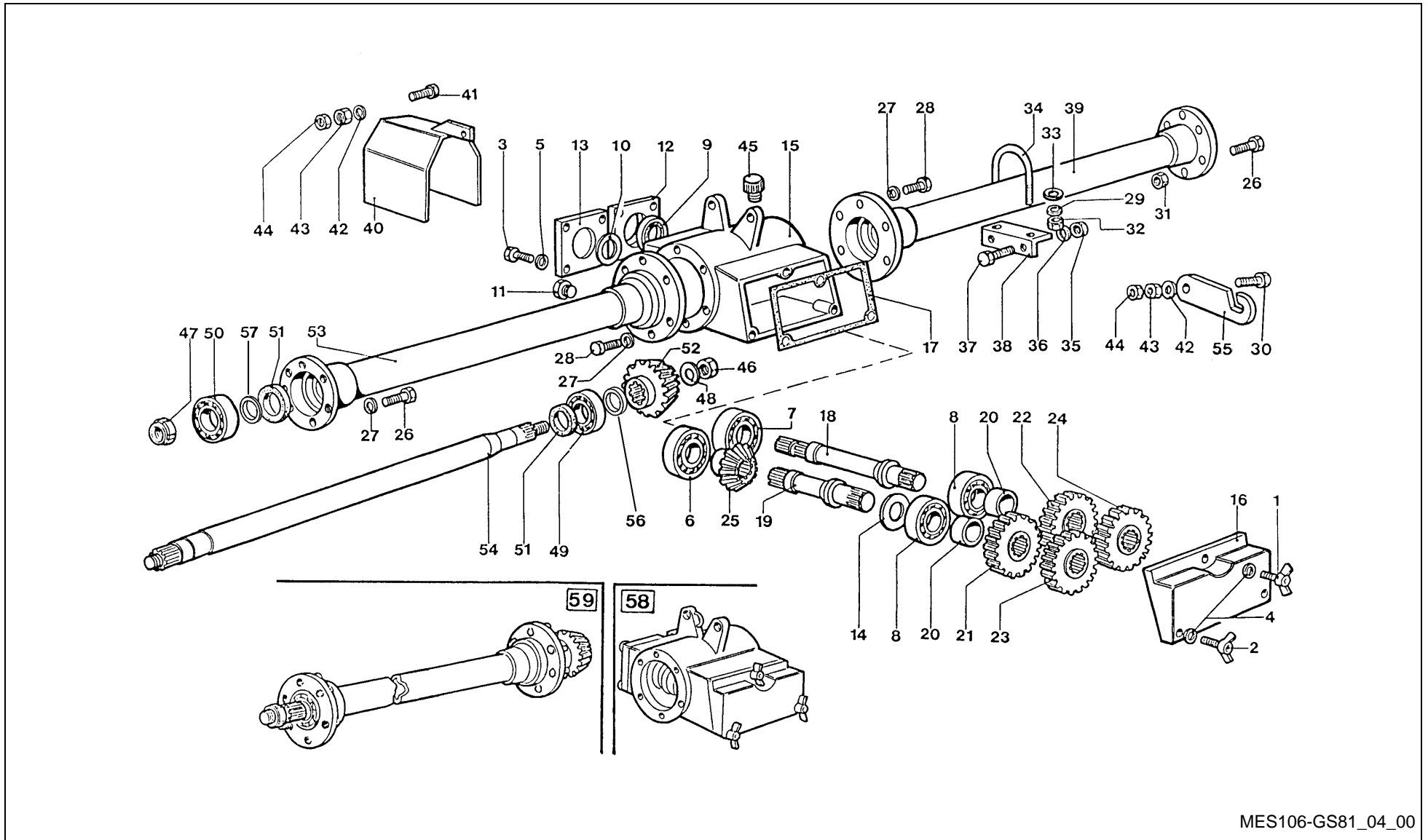
MES106-GS81\_03\_00

## GS81-81CV / Single speed transmission



PosNo.	Part No.	Qty.	Description	Remark
35	KG00362161	1	HEX. BOLT M16X60 8.8	M16x60 UNI5737 8.8 Zn
36	MA0101048	1	PTO GUARD EX 0100048	
37	MA9800131Y	2	CAVALLOTTO M14 GS80-80CV N ZIN	
38	MA9800132	2	FASCIETTA INF.GS80-80CV N	
39	MA000000077	2	SCREW	M 16x1,5x40
40	MA9700055	1	SPACER	D63/50x11
41	MA9700056	1	SPACER	D63/50x3
42	MAG9815A	1	SUPPORT WITH SHAFT	155
42	MAG9817A	1	SUPPORT WITH SHAFT	175
42	MAG9820A	1	SUPPORT WITH SHAFT	200
43	MAG9705	1	GRUPPO COMPLETO GS80	
44	MAG9815AC	1	SINGLE SPEED TRANS.	155
44	MAG9817AC	1	SINGLE SPEED TRANS.	175
44	MAG9820AC	1	SINGLE SPEED TRANS.	200
45	MA000000058	2	SCREW BOLT M16X1,5X50 FIL.29 10.9	

# GS81-81CV / Gear inversion transmission



MES106-GS81\_04\_00

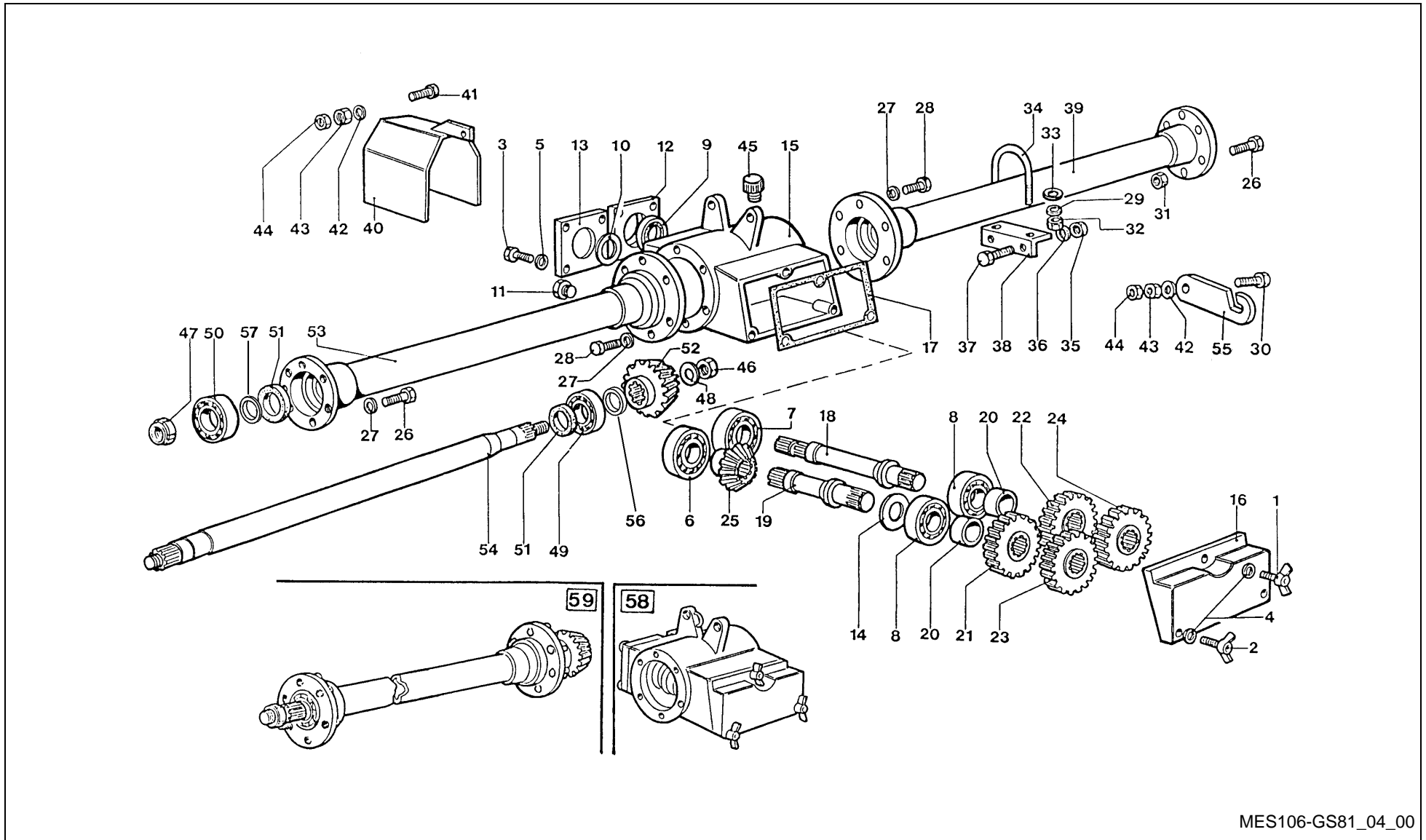


# GS81-81CV / Gear inversion transmission



PosNo.	Part No.	Qty.	Description	Remark
1	MA0000022	1	BOLT M 8X20 UNI 5449	M8x20 - UNI5449
2	MA0000023	2	BOLT M 8X40 UNI 5449	M8x40 - UNI5449
3	KG00474300	8	HEX. SCREW M10X30 8.8	M10x30 - UNI5739 8G
4	KG01267361	3	WASHER M8	Ø8 - UNI6592
5	KG01277661	8	SPRING WASHER M10	Ø10 Rinf.
6	KG01802600	1	TAPER ROLLER BEARING 32211	32211
7	KG01799200	1	TAPER ROLLER BEARING 32207	32207
8	KG01800100	2	TAPER ROLLER BEARING 30308	30308
9	MA0000501	1	OIL SEAL 35X52X10	35x52x10
10	MA0000671	1	SHIM	80x100
11	MA00008010	1	PLUG	3/8# GAS - DIN 909#
12	MA0200032	1	FRONT PTO COVER PCV3	PCV3
13	MA0200034	1	FRONT PINION COVER PCV3	PCV3
14	MA0200092	2	SHIM PCV3	PCV3
15	MA1001021	1	GEARBOX	KCV
16	MA1001033	1	REAR GEARBOX COVER KCV	KCV
17	MA1001038	1	GASKET FOR REAR COVER KCV	KCV
18	MA1001060	1	PTO SHAFT KCV	KCV
19	MA1001061	1	SECONDARY SHAFT KCV	KCV
20	MA1001088	2	SPACER 50X41XSP.16 KCV	KCV 50x41xSp. 16
21	MA9700065	1	GEAR Z=19 GSCV	GSCV Z= 19
22	MA9700066	1	GEAR Z=18 GSCV	GSCV Z= 18
23	MA9700067	1	GEAR Z=17 GSCV	GSCV Z= 17
24	MA9700068	1	GEAR Z=20 GSCV	GSCV Z= 20
25	MA97010591	1	SPROCKET	GSCV - N Z= 16
26	KG00474300	12	HEX. SCREW M10X30 8.8	M10x30 UNI5739 8G
27	KG01267461	18	WASHER M10	Ø10 - UNI6592
28	KG00474200	12	HEX. SCREW M10X25 8.8	M10x25 - UNI5739 8G
29	KG01277861	4	SPRING WASHER M14	Ø14 Rinf.
30	MA0000098	1	SCREW M16X65 UNI 5737 8G	M16x65 UNI5737 8G
31	MA00002026	6	NUT	M10 Biblock DIN980 Cl.8
32	KG01064361	4	LOCK NUT M14 8	M14 Block DIN982 5S
33	KG01267661	4	WASHER M14	Ø14 - UNI6592 Zn
34	MA9800131Y	2	CAVALLOTTO M14 GS80-80CV N ZIN	M14x1,5 - Ø76
35	MA0000291	4	NUT M 16X1,5 MT/6S METALBLOCK	M16x1,5 MT/6S Metalblock
36	KG01267761	4	WASHER M16	Ø16 - UNI6592 Zn
37	MA000000077	4	SCREW	M16x1,5x40 fil.21 10.9
38	MA9800132	2	FASCIETTA INF.GS80-80CV N	GSCV
39	MA9815107	1	SUPP.SUPER.DX GS80CV/155 N	GS 155
39	MA9818107	1	SUPPORT	GS 175

# GS81-81CV / Gear inversion transmission

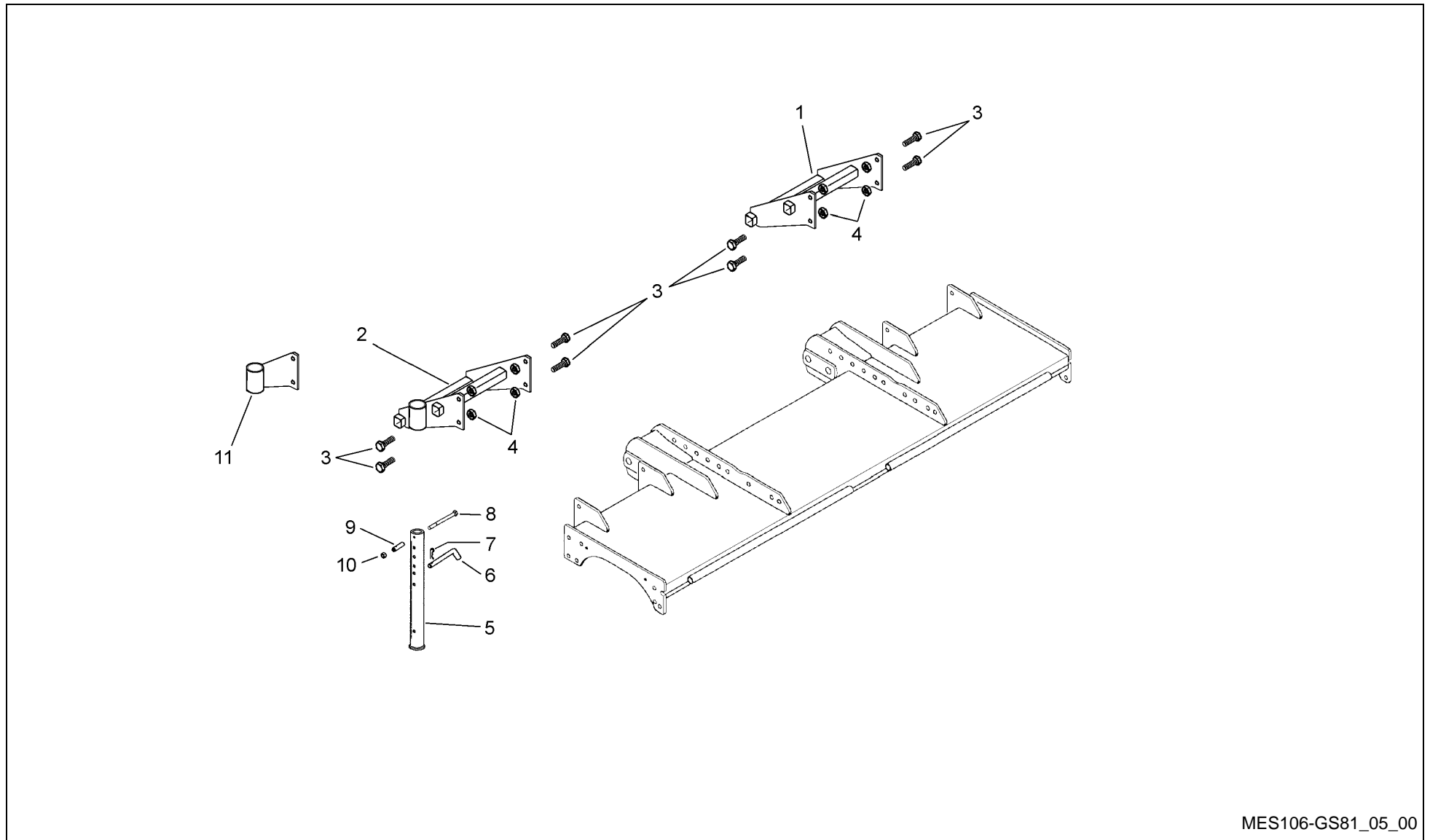


MES106-GS81\_04\_00

## GS81-81CV / Gear inversion transmission



PosNo.	Part No.	Qty.	Description	Remark
39	MA9820107	1	SUPP.SUPER.DX GS80CV/200 N	GS 200
40	MA0101048	1	PTO GUARD EX 0100048	P - K80
41	KG00362161	1	HEX. BOLT M16X60 8.8	M16x60 UNI5737 8G
42	KG01277961	2	SPRING WASHER M16	Ø16 RINFORZATE
43	KG01047761	2	HEX. NUT M16 8	M16 ALTO UNI 5587 6S
44	MA0000209	2	NUT M 16 BASSO UNI 5589 6S	M16 Basso UNI 5589 6S
45	MA0000805	1	CAP TMDFA 34 PCV3	3/4#
46	MA0000232	1	NUT M 27X2 BLOCK H=18,5 6S	M27x2 Block - H=18,5
47	MA0000266	1	LOCKING NUTS	M45x1,5 - H=12,1
48	MA0000358	1	WASHER 27,5X55X3	27,5x55x3
49	KG01802000	1	TAPER ROLLER BEARING 30310	30310
50	KG01404000	1	BALL BEARING 6310	6310
51	MA0000507	2	OIL SEAL 55X75X10	55x75x10 RP
52	MA97010592	1	CORONA Z=19 GSCV N	GSCV Z= 19
53	MA9715305	1	SUPP.ALB.TRASM.GS80CV/155	GS81CV/155
53	MA9718305	1	SUP.ALB.RO TRASM.GS80CV/180 MOD	GS81CV/175
53	MA9720305	1	SUPPORT	GS81CV/200
54	MA9715306	1	ALBERO TRASM. GS80CV/155	GSCV/155
54	MA9718306	1	ALBERO TRASM.GSCV/180 MOD.	GSCV/175
54	MA9720306	1	SHAFT	GSCV/200
55	MA1000044	1	GANCIO CATENA BANDA K80CV	
56	MA9700055	1	SPACER	D63/50x11
57	MA000065701	1	SPACER	D61,6x50,2x1
58	MAG9704	1	GRUPPO COMPL.GSCV180-200-235N	GSCV
59	MAG9815B	1	SUPPORT WITH SHAFT	155
59	MAG9817B	1	SUPPORT WITH SHAFT	175
59	MAG9820B	1	SUPPORT WITH SHAFT	200

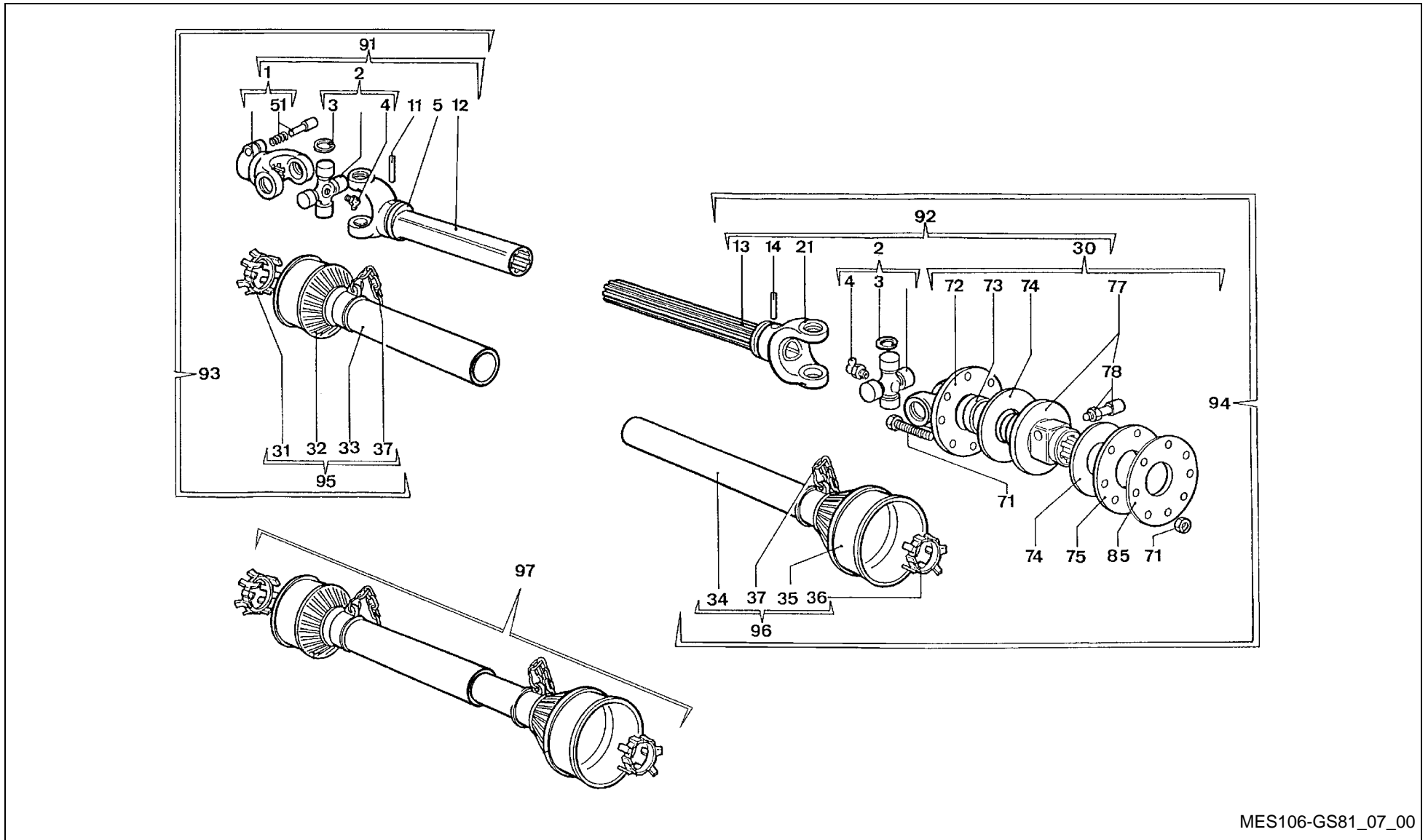


MES106-GS81\_05\_00

## GS81-81CV / Safety guards



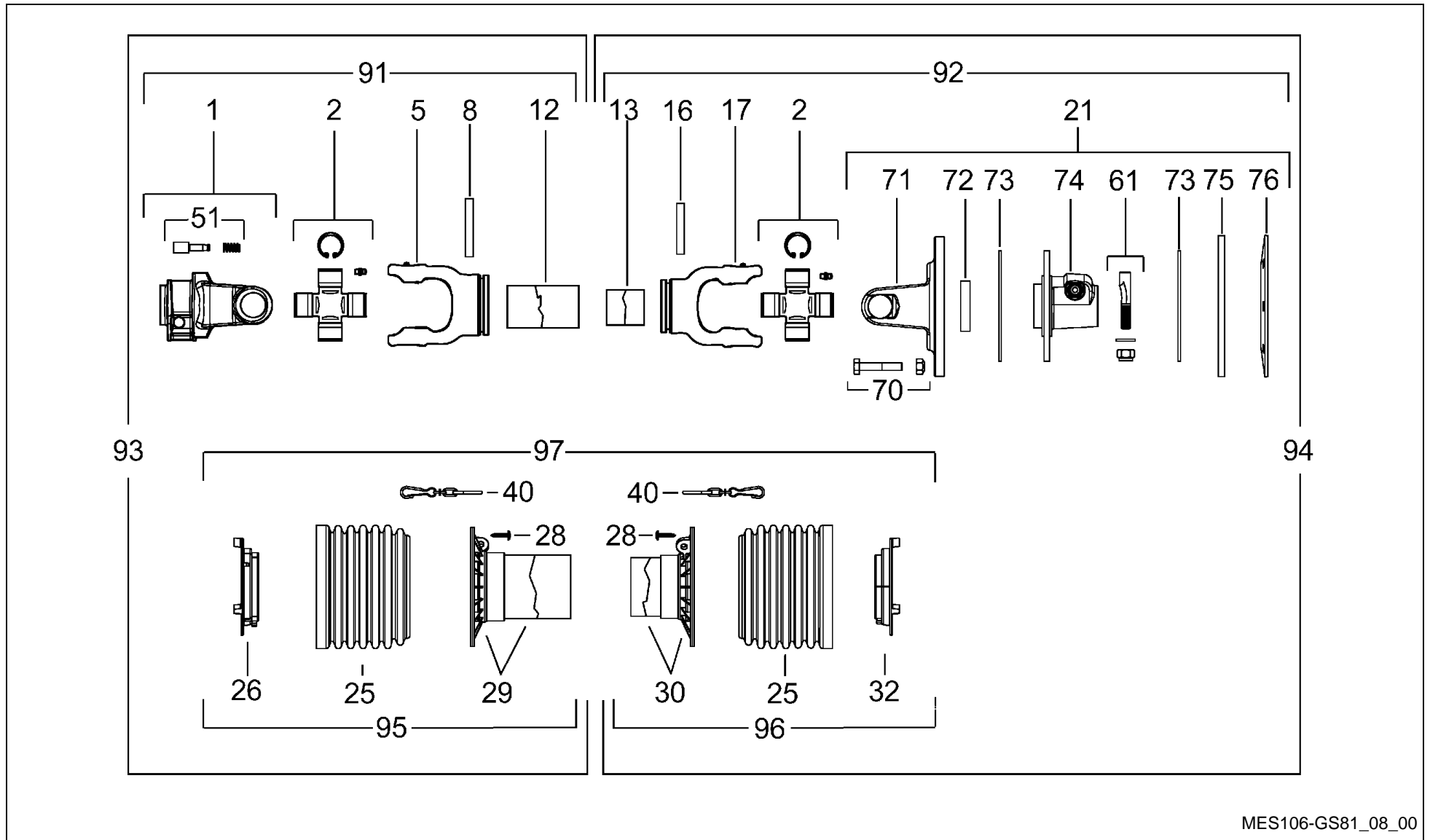
PosNo.	Part No.	Qty.	Description	Remark
1	MA9815060X	1	R.H. PROTECTION	GS155
1	MA9817060X	1	R.H. PROTECTION	GS175
1	MA9820060X	1	R.H. PROTECTION	GS200
2	MA9815061X	1	L.H. PROTECTION	GS155
2	MA9817061X	1	L.H. PROTECTION	GS175
2	MA9820061X	1	L.H. PROTECTION	GS200
3	KG00478661	8	HEX. SCREW M14X35 8.8	M14x35 DIN933-8.8 Zn
4	MA00002016	8	NUT M 14 CONELOCK	M14 Biblock DIN980 Cl.8
5	MA9200050Y	1	STAND ME9200050	
6	MA6201049Y	1	PIN FM-FH ZINC.	
7	MA0000915	1	SPLIT PIN DIAM 3 A R	Ad R Ø3
8	KG00351661	1	HEX. BOLT M6X70 8.8	M6x70 UNI5737 8.8 Zn
9	MA6201062Y	1	SPACER	
10	KG01063961	1	LOCK NUT M6 8	M6 Block DIN982 5S
11	MA9800061	1	SUPPORT	ONLY for extra CEE
12	KT9815501	1	KIT CEE GUARDS 4,0M KV RIC	GS155
12	KT9817501	1	KIT CEE GUARDS 4,0M KV RIC	GS175
12	KT9820001	1	KIT CEE GUARDS 4,0M KV RIC	GS200



MES106-GS81\_07\_00

## GS81-81CV / Driveline 0005E611V

PosNo.	Part No.	Qty.	Description	Remark
1	MA000601AA06	1	FORK 138Z6 106/406	507 060 351
2	MA000602006	2	CROSS 30,2X92 106 6.41	41 206
3	MA000603104	8	ANELLO D'ARRESTO CROC.5-6 MOD	338 020 000
4	MA000604000	2	GREASE NIPPLE 1-10	348 004 000
5	MA000605006	1	INTERNAL FORK 100XT.E.106/A6	204 066 851
11	MA000609005	1	PTO SPRING PIN 100 N@ 5	341 042 000
12	MA0006621396	1	TRIANGLE W/ HOLES Ø21 L=396	225 210 396
13	MA0006616396	1	TRIANGLE W/ HOLES Ø16 L=396	225 160 396
14	MA000609006	1	PTO SPRING PIN 100 N@ 6	341 043 000
21	MA000610006	1	INTERNAL FORK 100XT.I.106/A6	204 066 852
30	MA000626V02T	1	FRIZ.FV32/6 750NM 1.3/8"Z6	6D6 337 003
31	MA000635006	1	RING NUTXTUBE EST.DIM.6-7	255 060 005
32	MA000632F03	1	OUTER CONE SET	517 050 030
33	MA0006480336	1	PROT.TUBO EST.@81,2X336MM	236 830 336
34	MA0006590336	1	PROT.TUBO INT.@75X336MM	236 820 336
35	MA000633F03	1	I. CONE SET	517 050 020
36	MA000636006	1	RING NUTXINTERAL TUBE DIM.6-7	255 060 006
37	MA000637001	2	CHAIN GUARD SHAFT 1-7	252 000 001
51	MA000611A01	1	COMPLT.PUSH BUT.138Z6 101-108	403 000 001
71	MA000626V001	8	BULLONE CPLT. M10X55 FV32	432 000 054
72	MA000626BV9	1	FORCELLA 6 C/FLANGIA TF22 SPC.	253 068 903
73	MA000626C09	1	BUSH FOR CLUTCH FF1-2-3-4	258 005 320
74	RG00059477	2	BREMSBELAG	247 006 251
75	MA000626BV3	1	DISCO DI SPINTA SP.8 FV32	248 860 007
77	MA000626AV6	1	MOZZO C/BULL.CON.FV32 1-3/8"Z6	515 860 305
78	MA000623152	1	SCREW	408 000 047
85	MA000626CV1	1	MOLLA A TAZZA T=3,5MM FV32	367 009 860
91	MA0005611MT	1	1/2 DRVLINE 0005611 L.TRACTO	7E1 605 600 007
92	MA0005611VMA	1	1/2 CARD 5E611V L/ATTR.NP.	7I1 605 600 N13
93	MA0005613MTP	1	1/2 CARD.5E613V L/TRATT. PROT.	7E1 605 6CE 007
94	MA0005611VAP	1	1/2 CARD 5E611V L/ATTR.PROT.	7I1 605 6CE N13
95	MA0006V0E656	1	1/2 PROT.CPLT E. 6X56 STD/ E.	5FE 605 6FFCE
96	MA0006V6I656	1	1/2 PROT.CPL.I 6X56 STD/FV34 E	5FI 605 6FTCE
97	MA00065V6656	1	PROT.CPLT 6X56 STD /FV34 E	5F0 605 6FTCE



MES106-GS81\_08\_00



## GS81-81CV / Driveline 0005B7018

PosNo.	Part No.	Qty.	Description	Remark
1	MA5B70180001	1	PUSH PIN FORK 1 3/8 Z6	5070H0355
2	MA0006020065	2	CROSS 30,2 - 91,5	4120H0012
5	MA000605006	1	INTERNAL FORK 100XT.E.106/A6	204066851
8	MA000609005	1	PTO SPRING PIN 100 N@ 5	341042000
12	MA0006654695	1	OUTER DRIV. TUBE L=695 54-SP.4	225210695
13	MA0006645695	1	INNER DR. TUBE L=695 45-SP.4,2	225160695
16	MA000609006	1	PTO SPRING PIN 100 N@ 6	341043000
17	MA000610006	1	INTERNAL FORK 100XT.I.106/A6	204066852
21	MA5B70180021	1	COMP.CLUT.FV32/S7 900NM 13/8Z6	661H41203
25	MA5B70180043	2	PROTECTION CONE	219051001
26	MA5B70180026	1	RING FOR PROTECTION	255071002
28	MA5ED0010042	6	SCREW	310001431
29	MA5B70180029	1	OUTER PROTECTION TUBE	5TNN1G7086C
30	MA5B70180030	1	INNER PROTECTION TUBE	5MNN1G7086C
32	MA5B70180032	1	RING FOR PROTECTION	255071001
40	MA000637003	2	CHAIN	252000050
51	MA000611A01	1	COMPLT.PUSH BUT.138Z6 101-108	403000001
61	MA000623152	1	SCREW	408000047
70	MA000626V001	8	BULLONE CPLT. M10X55 FV32	432000054
71	MA000626BV9	1	FORCELLA 6 C/FLANGIA TF22 SPC.	253068903
72	MA000626C09	1	BUSH FOR CLUTCH FF1-2-3-4	258005320
73	RG00059477	2	BREMSBELAG	247006251
74	MA000626AV6	1	MOZZO C/BULL.CON.FV32 1-3/8"Z6	515860305
75	MA000626BV3	1	DISCO DI SPINTA SP.8 FV32	248860007
76	MA000627CV01	1	SPRING 180X3,75 FT34	367008860
91	MA5B70180091	1	OUTER HALF DRIV.WITHOUT PROT.	7G7N08600007ESS
92	MA5B70180092	1	INNER HALF DRIV.WITHOUT PROT.	7G7N08600N14ISS
93	MA5B70180093	1	OUTER HALF TRANSMISSION PROT.	7G7N086CE007ESS
94	MA5B70180094	1	INNER HALF TRANSMISSION PROT.	7G7N086CEN14ISS
95	MA5B70180095	1	OUTER PROTECTION	5EG7086CESS
96	MA5B70180096	1	INNER PROTECTION	5IG7086CESS
97	MA5B70180097	1	COMPLETE PROTECTION	5CG7086CESS

1

2

3

4

5

6

7

8

9

10

11

12

13

## GS81-81CV / Decals



PosNo.	Part No.	Qty.	Description	Remark
1	MAZD75500705	1	STICKER	
2	MAZD75500702	1	SAFETY DECAL	
3	MAZD75500708	1	STICKER/DECAL	
4	MAZD75500710	1	SAFETY YELLOW STICKER POWER HARROW M0011	
5	MAZD75500711	1	SAFETY YELLOW STICKER POWER HARROW M0012	
6	MAZD75500706	1	SAFETY YELLOW STICKER POWER HARROW M0007	
7	MAZD75500703	1	STICKERS YELLOW SAFETY	
8	MAZD75500160	2	MODEL DECAL FOLD NG-S F35	GS81 - 81 CV
9	MAZD75500756	1	DECAL "KVERNELAND"	
10	MAZD75500804	1	DECAL "KVERNELAND"	540RPM
11	MAZD75500723	1	STICKER/DECAL	
12	MAZD75500803	1	STICKER WHITE/ RED M0022	
13	MAZD75500753		YELLOW STICKER M0038	

# GS81-81CV / Part No Index



Part No.	Page	Pos No	Part No.	Page	Pos No	Part No.	Page	Pos No	Part No.	Page	Pos No
KG00134100	2	24	KG01267461	4	27	KT9820001	5	12	MA0000232	4	46
KG00351661	5	8	KG01267661	1	35	MA00000002	2	53	MA0000266	2	27
KG00362161	3	35	KG01267661	2	13	MA000000058	3	45	MA0000266	3	12
KG00362161	4	41	KG01267661	3	25	MA000000074	2	42	MA0000266	4	47
KG00469261	1	1	KG01267661	4	33	MA000000074	2	51	MA0000291	3	27
KG00474061	2	55	KG01267761	3	21	MA000000074	2	52	MA0000291	4	35
KG00474200	3	23	KG01267761	4	36	MA000000076	2	34	MA0000358	3	13
KG00474200	4	28	KG01277661	2	10	MA000000076	2	46	MA0000358	4	48
KG00474300	2	3	KG01277661	4	5	MA000000077	1	12	MA0000501	4	9
KG00474300	3	1	KG01277761	2	11	MA000000077	3	39	MA0000503	3	5
KG00474300	4	26	KG01277761	2	59	MA000000077	4	37	MA0000507	2	29
KG00474300	4	3	KG01277861	1	27	MA0000022	4	1	MA0000507	3	16
KG00474400	2	4	KG01277861	2	57	MA0000023	4	2	MA0000507	4	51
KG00478400	2	9	KG01277861	3	24	MA0000047	1	29	MA0000671	4	10
KG00478500	1	6	KG01277861	4	29	MA0000098	3	34	MA00008010	3	6
KG00478661	5	3	KG01277961	3	32	MA0000098	4	30	MA00008010	4	11
KG00596400	2	60	KG01277961	4	42	MA0000152	2	5	MA0000804	3	28
KG00596600	2	60	KG01403100	2	14	MA0000153	1	8	MA0000805	4	45
KG01031261	2	12	KG01403100	2	28	MA0000153	2	56	MA0000824	2	1
KG01047661	1	23	KG01404000	3	15	MA0000154	1	24	MA0000825	2	35
KG01047761	3	30	KG01404000	4	50	MA00002016	1	10	MA00009142	1	18
KG01047761	4	43	KG01404800	2	32	MA00002016	5	4	MA0000915	5	7
KG01063961	1	2	KG01555600	2	23	MA00002026	2	6	MA0000958	1	16
KG01063961	5	10	KG01739600	2	61	MA00002026	3	26	MA00010502	1	3
KG01064361	3	20	KG01799100	3	3	MA00002026	4	31	MA0001191	2	63
KG01064361	4	32	KG01799200	4	7	MA00002031	1	11	MA0005611MT	6	91
KG01132700	2	16	KG01800100	4	8	MA00002033	1	26	MA0005611VAP	6	94
KG01132700	2	62	KG01802000	3	14	MA00002038	2	36	MA0005611VMA	6	92
KG01252761	1	34	KG01802000	4	49	MA00002038	2	50	MA0005613MTP	6	93
KG01267261	1	7	KG01802200	3	4	MA0000209	3	31	MA000601AA06	6	1
KG01267361	4	4	KG01802600	4	6	MA0000209	4	44	MA000602006	6	2
KG01267461	2	8	KT9815501	5	12	MA0000231	2	22	MA0006020065	7	2
KG01267461	3	2	KT9817501	5	12	MA0000232	3	29	MA000603104	6	3

# GS81-81CV / Part No Index



Part No.	Page	Pos No	Part No.	Page	Pos No	Part No.	Page	Pos No	Part No.	Page	Pos No
MA000604000	6	4	MA0006590336	6	34	MA1018004	1	33	MA9700065	4	21
MA000605006	6	5	MA00065V6656	6	97	MA1020004	1	33	MA9700066	4	22
MA000605006	7	5	MA0006616396	6	13	MA1101077	2	43	MA9700067	4	23
MA000609005	6	11	MA0006621396	6	12	MA1101078	2	41	MA9700068	4	24
MA000609005	7	8	MA0006645695	7	13	MA1101078	2	44	MA9701029	2	66
MA000609006	6	14	MA0006654695	7	12	MA1101079	2	45	MA9701030	2	20
MA000609006	7	16	MA0006V0E656	6	95	MA5B70180001	7	1	MA9701040	1	31
MA000610006	6	21	MA0006V6I656	6	96	MA5B70180021	7	21	MA9701041	1	30
MA000610006	7	17	MA0100032	3	7	MA5B70180026	7	26	MA97010591	4	25
MA000611A01	6	51	MA0100044	3	33	MA5B70180029	7	29	MA97010592	4	52
MA000611A01	7	51	MA0100077	2	37	MA5B70180030	7	30	MA9701114	2	58
MA000623152	6	78	MA0100078	2	38	MA5B70180032	7	32	MA9702110Y	1	5
MA000623152	7	61	MA0100079	2	39	MA5B70180043	7	25	MA9704029	2	30
MA000626AV6	6	77	MA0100080	2	40	MA5B70180091	7	91	MA9705029	2	25
MA000626AV6	7	74	MA0100092	3	8	MA5B70180092	7	92	MA9705031	2	26
MA000626BV3	6	75	MA0101021	3	9	MA5B70180093	7	93	MA97050591	3	11
MA000626BV3	7	75	MA0101048	3	36	MA5B70180094	7	94	MA97050592	3	17
MA000626BV9	6	72	MA0101048	4	40	MA5B70180095	7	95	MA9706031	2	65
MA000626BV9	7	71	MA0101060	3	10	MA5B70180096	7	96	MA9708031	2	31
MA000626C09	6	73	MA0200032	4	12	MA5B70180097	7	97	MA9709031	2	67
MA000626C09	7	72	MA0200034	4	13	MA5ED0010042	7	28	MA9715305	4	53
MA000626CV1	6	85	MA0200092	4	14	MA6201049Y	5	6	MA9715306	4	54
MA000626V001	6	71	MA1000044	4	55	MA6201062Y	5	9	MA9715606	3	19
MA000626V001	7	70	MA1000077	2	47	MA6403082Y	1	19	MA9717606	3	19
MA000626V02T	6	30	MA1000078	2	48	MA9200050Y	5	5	MA9718305	4	53
MA000627CV01	7	76	MA1000079	2	49	MA9700019Y	1	4	MA9718306	4	54
MA000632F03	6	32	MA1001021	4	15	MA9700024	2	17	MA9720305	4	53
MA000633F03	6	35	MA1001033	4	16	MA9700029	2	64	MA9720306	4	54
MA000635006	6	31	MA1001038	4	17	MA9700042	1	25	MA9720606	3	19
MA000636006	6	36	MA1001060	4	18	MA9700055	3	40	MA9800021	2	7
MA000637001	6	37	MA1001061	4	19	MA9700055	4	56	MA9800022	2	15
MA000637003	7	40	MA1001088	4	20	MA9700056	3	41	MA9800024X	1	28
MA0006480336	6	33	MA1016004	1	33	MA9700056	4	57	MA9800025	2	18

# GS81-81CV / Part No Index



Part No.	Page	Pos No	Part No.	Page	Pos No	Part No.	Page	Pos No
MA9800026	2	33	MA9820061X	5	2	RG00059477	6	74
MA9800027	2	19	MA9820101A	1	32	RG00059477	7	73
MA9800037	2	21	MA9820107	4	39			
MA9800052	1	9	MA9820203	1	15			
MA9800061	5	11	MA9820302	2	2			
MA9800131Y	3	37	MAE000H19Y	1	17			
MA9800131Y	4	34	MAE002K16Y	1	20			
MA9800132	3	38	MAE345K7Y	1	21			
MA9800132	4	38	MAE431P5X	1	22			
MA98020020	2	54	MAG9704	4	58			
MA9803045	1	37	MAG9705	3	43			
MA9803046	1	36	MAG9815A	3	42			
MA9804003	1	13	MAG9815AC	3	44			
MA9805003	1	14	MAG9815B	4	59			
MA9815005	3	18	MAG9817A	3	42			
MA9815007	3	22	MAG9817AC	3	44			
MA9815060X	5	1	MAG9817B	4	59			
MA9815061X	5	2	MAG9820A	3	42			
MA9815101A	1	32	MAG9820AC	3	44			
MA9815107	4	39	MAG9820B	4	59			
MA9815203	1	15	MAZD75500160	8	8			
MA9815302	2	2	MAZD75500702	8	2			
MA9817005	3	18	MAZD75500703	8	7			
MA9817007	3	22	MAZD75500705	8	1			
MA9817060X	5	1	MAZD75500706	8	6			
MA9817061X	5	2	MAZD75500708	8	3			
MA9817101A	1	32	MAZD75500710	8	4			
MA9817203	1	15	MAZD75500711	8	5			
MA9817302	2	2	MAZD75500723	8	11			
MA9818107	4	39	MAZD75500753	8	13			
MA9820005	3	18	MAZD75500756	8	9			
MA9820007	3	22	MAZD75500803	8	12			
MA9820060X	5	1	MAZD75500804	8	10			



## GS81-81CV

MAROTxx100308 < Mach. ID <=

Kverneland Group Modena  
Kvernelandgroup Modena  
Strada ponte alto, 74  
41123 Modena  
Italia  
+39 059 380511  
+39 059 380582

© Kverneland Group

All rights reserved. No parts of this book may be reproduced, stored in a database or retrieval system, or published in any form or in any way, electronically, mechanically, optically, by print, photo print, microfilm (including micro and macro fiche), or any other means, including all video and CD systems, without prior written permission from the publisher.

Print date: 2011-06-24

